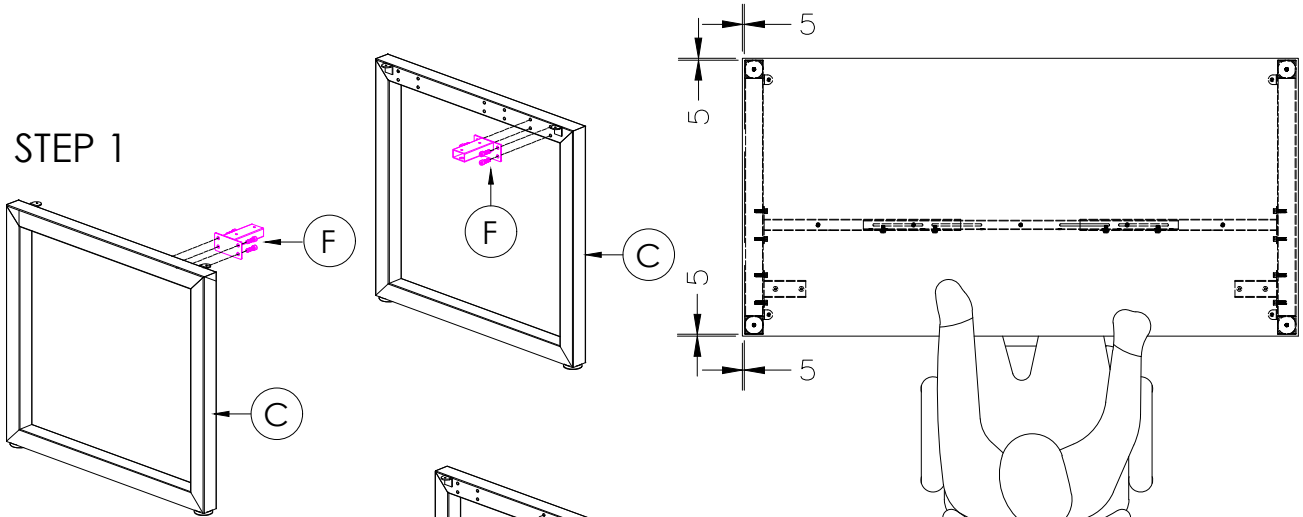
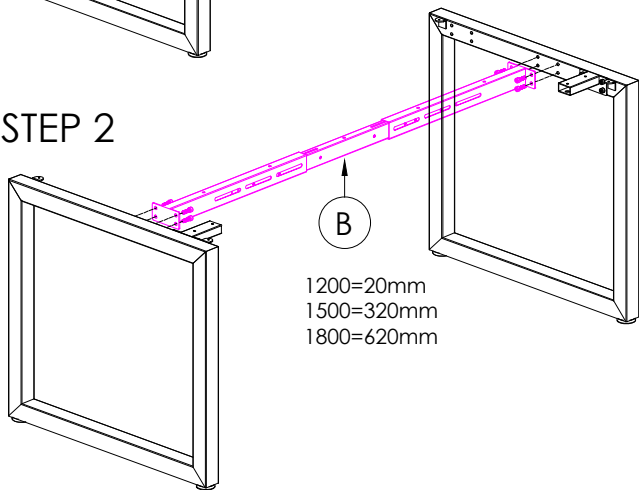


A	VARIOUS SIZES DESKTOP	x1			D	M6 x 20mm BUTTON HEAD ALLEN BOLT	x4
B	ST-AB1218 ADJUSTABLE BEAM	x1	C	2x LP-LE75	E	70mm CHIPBOARD SCREW	x5
F	100mm x 50mm BRACKET	x2	G	3mm SPACER	H	25mm CHIPBOARD SCREW	x4

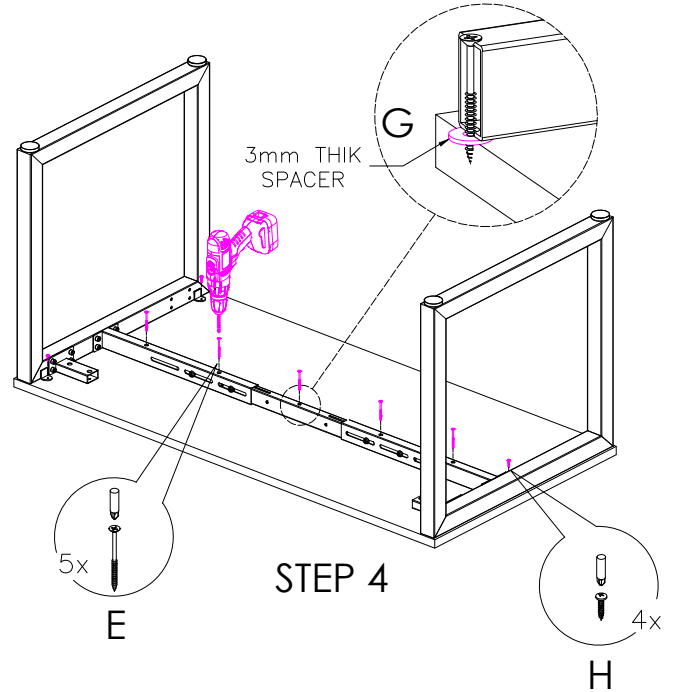
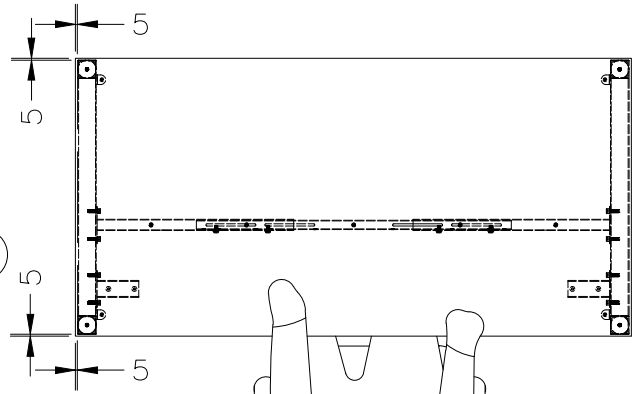
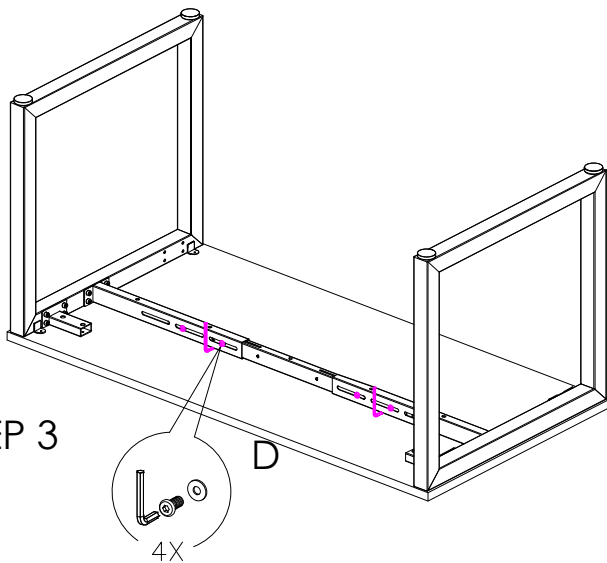
STEP 1



STEP 2



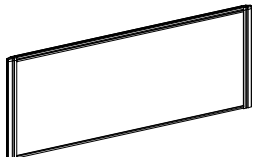

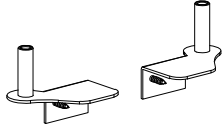
STEP 3

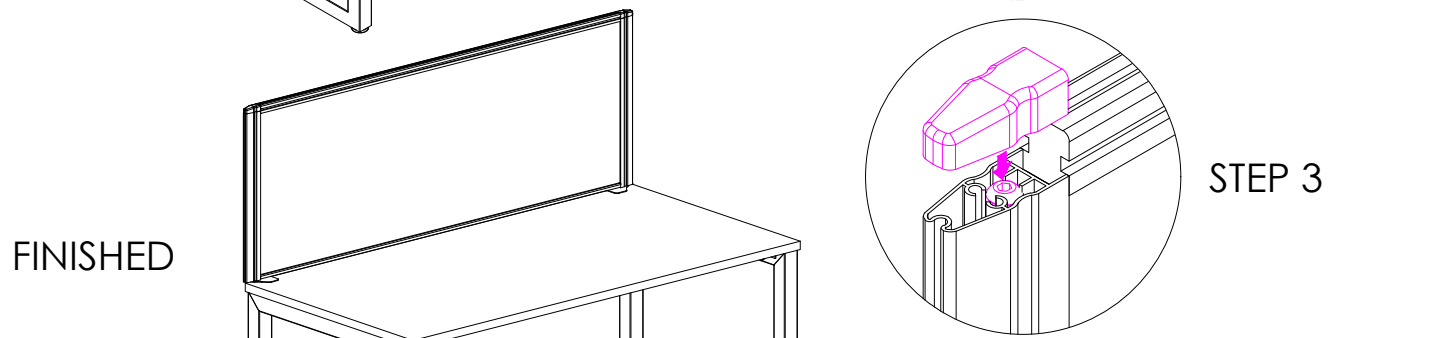
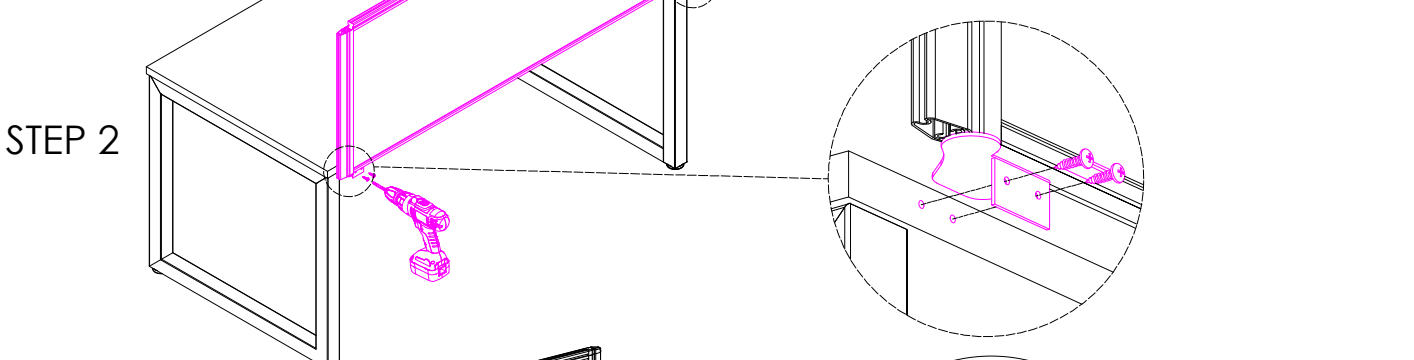
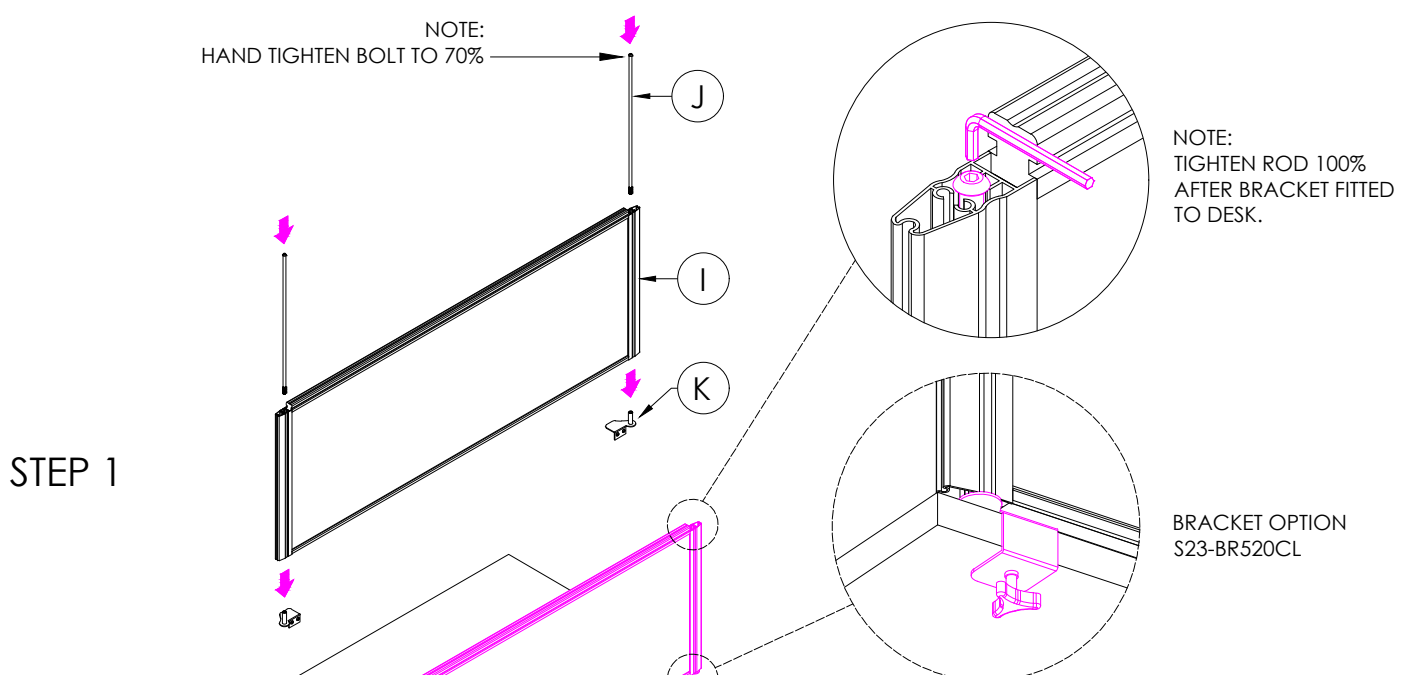


CAUTION:
HEAVY



2 PERSON HEAVY
ASSEMBLY

I	VARIOUS SIZES  S23 PARTITION	x1	J	 ROD PACKED INSIDE THE PARTITION	x2
			K	S23-BR520SM  BRACKETS	x1



CAUTION:
HEAVY



2 PERSON HEAVY
ASSEMBLY